

COILS & OPERATORS

Coils



GEM-SOL® | GEM-B

Coil

Technical Data

Coil winding insulation	H 180°C
Temperature range	Coil : -20°C to 150°C Ambient : -20°C to 70°C
Duty cycle *	100% ED
Electrical connection	<ul style="list-style-type: none"> • AMP pins, DIN 46242, 2 poles + 1 earth • 2 flying leads, 18 AWG (0.75mm²), 330 mm length
Connector	<ul style="list-style-type: none"> • DIN 43650 • PG9 or 1/2" NPT * Max. tightening torque for the connector screw : 0.5 Nm
Assembly	In any position
Coil fixing	One nut G1/4" hexagonal 19mm
Impregnation	Optional
Coil voltage	<ul style="list-style-type: none"> • Voltage and power consumption - see table • All Baccara coil voltages are ±10% of nominal
Standard / Certification	CE, RU
Standard protection class	IP65 with connector * Option : IP68 (please refer to GEM-BP Coil)

- The coil should not be energized without being assembled on the operator
- * Please consult with our technical sales department :
- for further information on using different power coils (not shown in the table)
- for long term operation



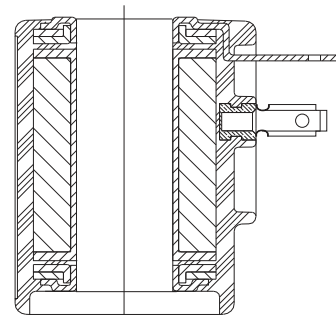
Power Consumption (AC)

Type	Inrush	Holding	Cos Ø
8W	1800 [mA]	680 [mA]	0.46
5.5W	1700 [mA]	580 [mA]	0.51
2.5W *	300 [mA]	190 [mA]	0.54

* + 2 Diodes

Power Consumption (DC)

Type
10W
5.5W
2.5W



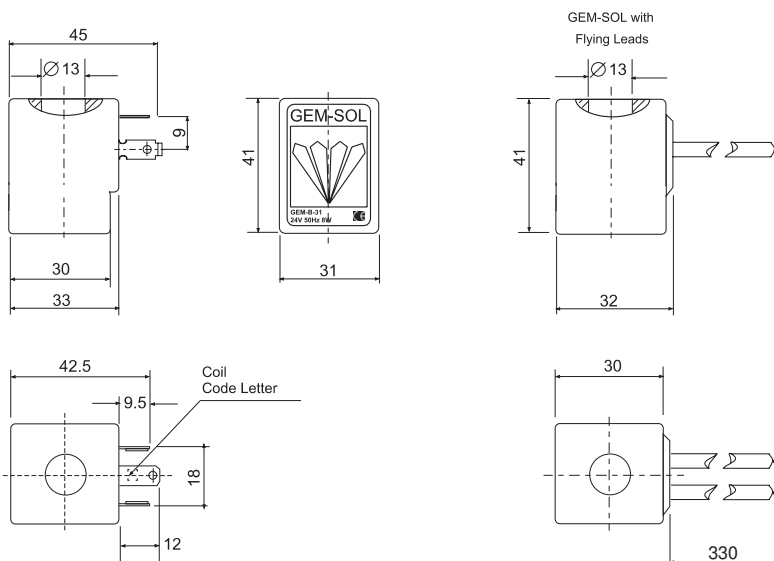
Voltage & Power Consumption

V	AC (W)						DC (W)		
	50 Hz			60 Hz			10	5.5	3.5
6							•	•	•
12	•			•			•	•	•
24	•	•	•	•	•	•	•	•	•
48	•			•			•		
110	•			•	•		•		
120	•			•	•				
220	•	•	•	•			•		
230	•	•		•	•				
240	•			•			•		

- Available options

GEM-SOL® | GEM-B | Coil

Dimensions



How to Order

GEM-B	-	VOLTAGE	POWER	CONNECTOR
6 ⁽¹⁾	1	AC8W 50Hz	1	with 1
12	2	AC8W 60Hz	2	with LED 2
24	3	DC10W	3	flying leads coil * 4
48	4	AC5.5W 50Hz	4	with 1/2" hub 5
110	5	AC5.5W 60Hz	5	surge protection with LED * 6
120	6	AC2.5W 50/60Hz	6	connector with moulded cable 7
220	7A	DC5.5W	7	other 9
230	7	DC3.5W	8	
240	8			
	Latch/other* ⁽²⁾		9	

* **SPECIAL OPTIONS** | Extended lead times, Non-stock items, MOQ may be applicable

Example : GEM-B-341

GEM-SOL® GEM-B Coil, 24V AC 5.5W 50Hz with connector.

(1) DC only

(2) For specifying Latch type coil, please refer to A3P32 (GEM-A3P) valve - How to Order table.