

SEWAGE LIFTING SYSTEM VXC-F – MC-F

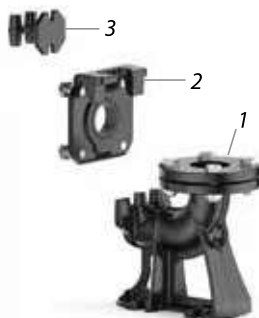


HORIZONTAL DELIVERY VERSION WITH ¾" GUIDE TUBES

| | | |
|--------------------------------|-----------------|--------------|
| For VXC /50-F, MC /50-F | Cod. ASSVXCF051 | DN 2" |
|--------------------------------|-----------------|--------------|

Kit consisting of:

1. footing connection
2. slide guide with screws and seals
3. support for the guide tubes

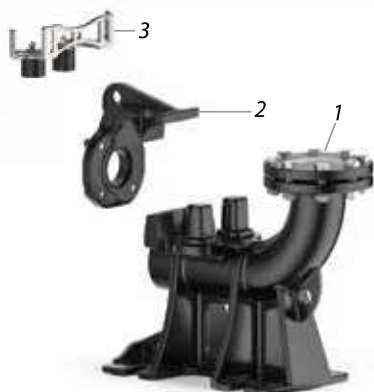


VERTICAL DELIVERY VERSION WITH ¾" GUIDE TUBES

| | | |
|--------------------------------|------------------|---------------|
| For VXC /50-F, MC /50-F | Cod. ASSVXCF051V | DN 2½" |
| For VXC /65-F, MC /65-F | Cod. ASSVXCF071V | DN 3" |

Kit consisting of:

1. footing connection completo di controflangia
2. slide guide with screws and seals
3. support for the guide tubes



VERTICAL DELIVERY VERSION WITH 2" GUIDE TUBES

| | | |
|--------------------------------|-------------------|--------------|
| For VXC /50-F, MC /50-F | Cod. ASSVXCF0704V | DN 3" |
| For VXC /65-F, MC /65-F | Cod. ASSVXCF0705V | |

Kit consisting of:

1. footing connection completo di controflangia
2. slide guide with screws and seals
3. support for the guide tubes

ACCESSORIES CAN BE ORDERED

SLIDE GUIDE (Also to be ordered separately)

| | |
|--|----------------|
| For VXC /50-F, MC /50-F with guide tubes Ø ¾" | Cod. ASSFL0017 |
| For VXC /65-F, MC /65-F with guide tubes Ø ¾" | Cod. ASSFL0018 |
| For VXC /50-F, MC /50-F with guide tubes Ø 2" | Cod. ASSFL071 |
| For VXC /65-F, MC /65-F with guide tubes Ø 2" | Cod. ASSFL072 |

Complete with screws and seals

INTERMEDIATE SUPPORT (To be ordered separately)

| | |
|----------------------|--------------------|
| For guide tubes Ø ¾" | Cod. 859SV340INTFA |
| For guide tubes Ø 2" | Cod. 859SV349INTFA |

In order to ensure stability, insert the intermediate support:

- every 2 metres with ¾" guide tubes (compulsory)
- every 3 metres with 2" guide tubes (recommended)

GUIDE TUBES (AISI 304 stainless steel)

| | |
|-----------------|-----------------|
| Guide tube Ø ¾" | Cod. 54SARTG005 |
| Guide tube Ø 2" | Cod. 54SARTG006 |

Maximum length of the tube plank: 6 metres

INTERMEDIATE SUPPORT

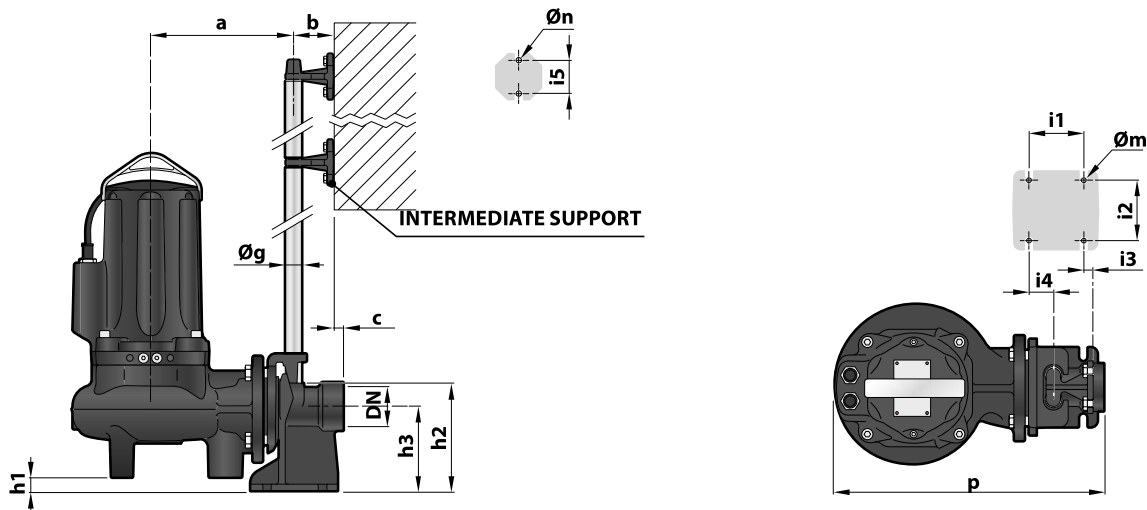
For guide tubes Ø ¾"



For guide tubes Ø 2"

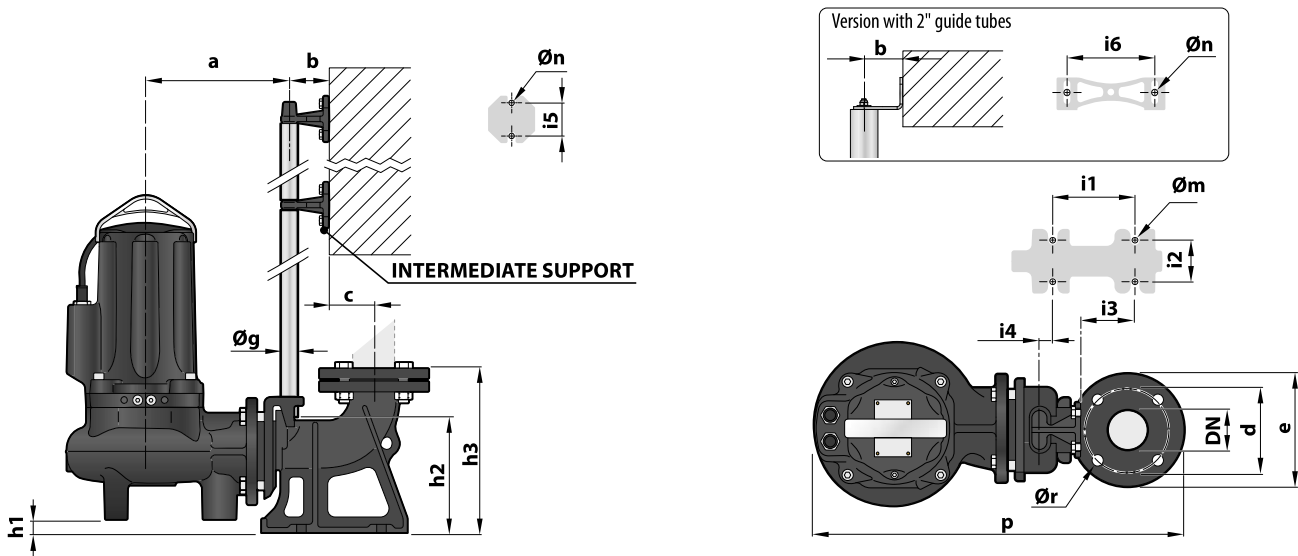


DIMENSIONS (Horizontal delivery version)



| MODEL | Passage of solids mm | PORT DN | DIMENSIONS mm | | | | | | | | | | | | | | |
|-----------|----------------------|---------|---------------|----|----|-----|----|-----|-----|----|----|----|----|----|----|----|----|
| | | | a | b | c | p | h1 | h2 | h3 | i1 | i2 | i3 | i4 | i5 | Øg | Øm | Øn |
| VXC /50-F | Ø 50 | 2" | 216 | 61 | 17 | 412 | 28 | 165 | 130 | 85 | 94 | 16 | 40 | 50 | ¾" | 12 | 11 |
| MC /50-F | | | | | | | | | | | | | | | | | |

DIMENSIONS (Vertical delivery version)



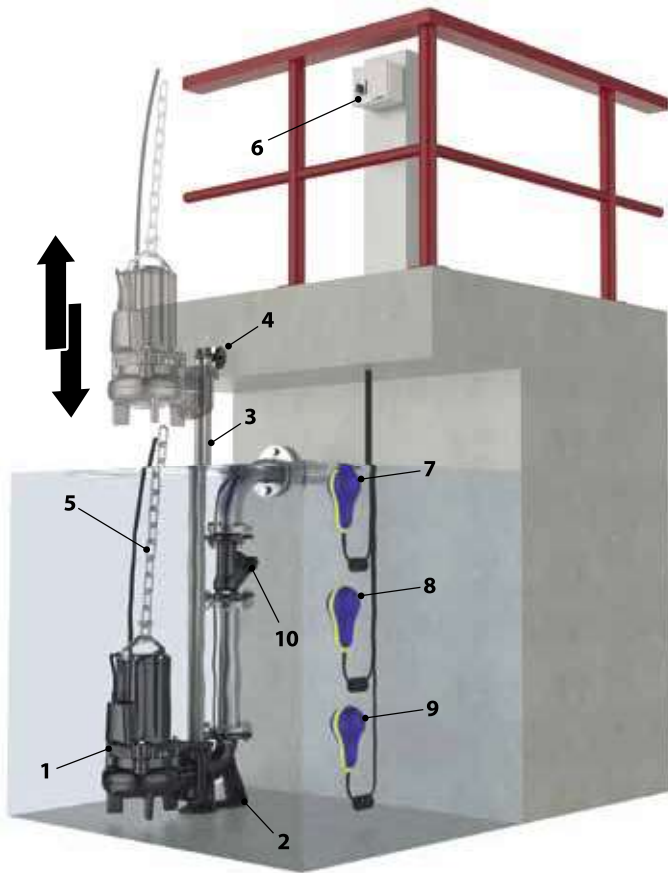
Version with ¾" guide tubes

| MODEL | Passage of solids mm | PORT DN | DIMENSIONS mm | | | | | | | | | | | | | | | | | |
|-----------|----------------------|------------|---------------|----|----|-----|-----|-----|------|-----|-----|-----|-----|----|----|----|----|----|----|----|
| | | | a | b | c | d | e | p | h1 | h2 | h3 | i1 | i2 | i3 | i4 | i5 | Øg | Øm | Øn | Ør |
| VXC /50-F | Ø 50 | 2½" (PN10) | 213 | 61 | 52 | 125 | 165 | 526 | 25.5 | 164 | 215 | 120 | 72 | 62 | 3 | 50 | ¾" | 14 | 11 | 18 |
| MC /50-F | | | | | | | | | | | | | | | | | | | | |
| VXC /65-F | Ø 65 | 3" (PN6) | 253 | 61 | 69 | 150 | 190 | 598 | 46 | 216 | 279 | 130 | 112 | 84 | 15 | 50 | ¾" | 14 | 11 | 18 |
| MC /65-F | | | | | | | | | | | | | | | | | | | | |

Version with 2" guide tubes

| MODEL | Passage of solids mm | PORT DN | DIMENSIONS mm | | | | | | | | | | | | | | | | | | |
|-----------|----------------------|-----------|---------------|----|----|-----|-----|-----|-----|-----|-----|-----|-----|----|------|----|-----|----|----|------|----|
| | | | a | b | c | d | e | p | h1 | h2 | h3 | i1 | i2 | i3 | i4 | i5 | i6 | Øg | Øm | Øn | Ør |
| VXC /50-F | Ø 50 | 3" (PN10) | 320 | 85 | 95 | 160 | 200 | 718 | 105 | 265 | 392 | 250 | 150 | 35 | -130 | - | 187 | 2" | 22 | 13.5 | 18 |
| MC /50-F | | | | | | | | | | | | | | | | | | | | | |
| VXC /65-F | Ø 65 | 3" (PN10) | 359 | 85 | 95 | 160 | 200 | 760 | 84 | 256 | 392 | 250 | 150 | 35 | -130 | - | 187 | 2" | 22 | 13.5 | 18 |
| MC /65-F | | | | | | | | | | | | | | | | | | | | | |

STANDARD INSTALLATION



1. Pump
2. Footing connection
3. Guide tubes
4. Support for the guide tubes
5. Lifting chain
6. Control box
7. Alarm float switch
8. Starting float switch
9. Stop float switch
10. Non-return valve



*The features and specifications here in stated are in no way binding for the manufacturer.
Pedrollo S.p.A. is free to modify the product at any time without previous notice.*

Pedrollo S.p.A.

Via Enrico Fermi, 7 - 37047 San Bonifacio (Verona) Italy
tel. +39 045 6136311 - fax +39 045 7614663
vendite@pedrollo.com - sales@pedrollo.com - www.pedrollo.com

MADE IN ITALY