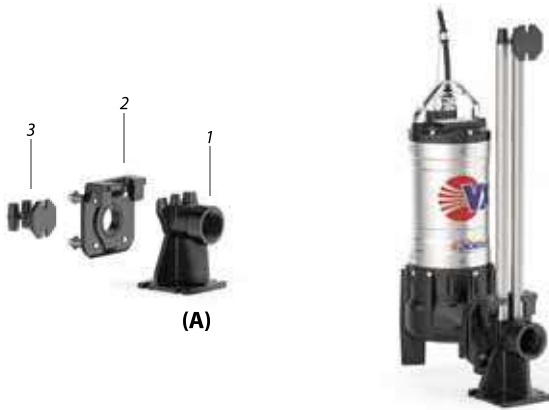


# SEWAGE LIFTING SYSTEM VX40-50 – 65

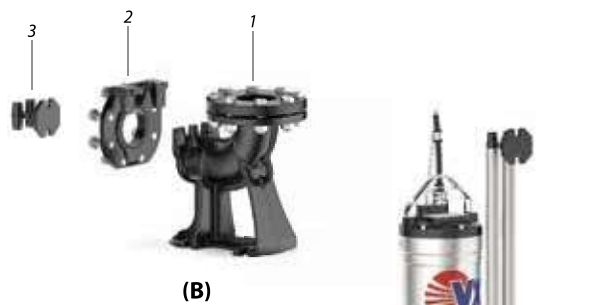


## HORIZONTAL DELIVERY VERSION WITH ¾" GUIDE TUBES (A)

For <b>VX /40</b>	Code ASSPVX40	DN <b>2"</b>
For <b>VX /50</b>	Code ASSPVX50	DN <b>2"</b>

### Kit comprising:

1. footing connection;
2. slide guide with screws and seals;
3. support for guide tubes.

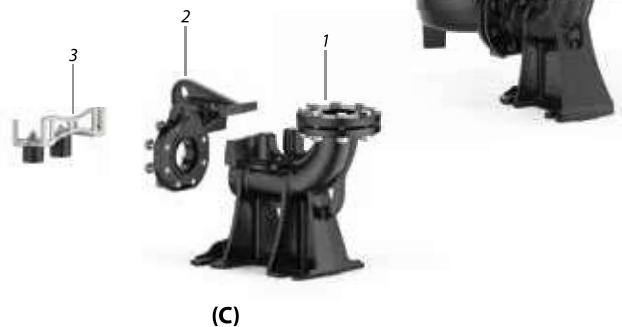


## VERTICAL DELIVERY VERSION WITH ¾" GUIDE TUBES (B)

For <b>VX /40</b>	Code ASSPVX40V	DN <b>2½"</b>
For <b>VX /50</b>	Code ASSPVX503V	DN <b>2½"</b>
For <b>VX /65,</b>	Code ASSPVX653V	DN <b>3"</b>

### Kit comprising:

1. footing connection complete with counterflange;
2. slide guide with screws and seals;
3. support for guide tubes.



## VERTICAL DELIVERY VERSION WITH 2" GUIDE TUBES (C)

For <b>VX /50</b>	Code ASSPVX50V	DN <b>3"</b>
For <b>VX /65,</b>	Code ASSPVX65V	DN <b>3"</b>
For <b>VX /80,</b>	Code ASSVXCF0705V	DN <b>3"</b>

### Kit comprising:

1. footing connection complete with counterflange;
2. slide guide with screws and seals;
3. support for guide tubes.

## ACCESSORIES AVAILABLE ON ORDER

### SLIDE GUIDE (Can also be ordered separately)

For <b>VX /40</b> with guide tubes Ø ¾"	Code ASSFL011
For <b>VX /50</b> with guide tubes Ø ¾"	Code ASSFL009
For <b>VX /65,</b> with guide tubes Ø ¾"	Code ASSFL010
For <b>VX /50</b> with guide tubes Ø 2"	Code ASSFL050
For <b>VX /65,</b> with guide tubes Ø 2"	Code ASSFL065
For <b>VX /80,</b> with guide tubes Ø 2"	Code ASSFL072

- Complete with screws and seals



### INTERMEDIATE SUPPORT (on request)

For guide tubes Ø ¾"	Code 859SV340INTFA
For guide tubes Ø 2"	Code 859SV349INTFA



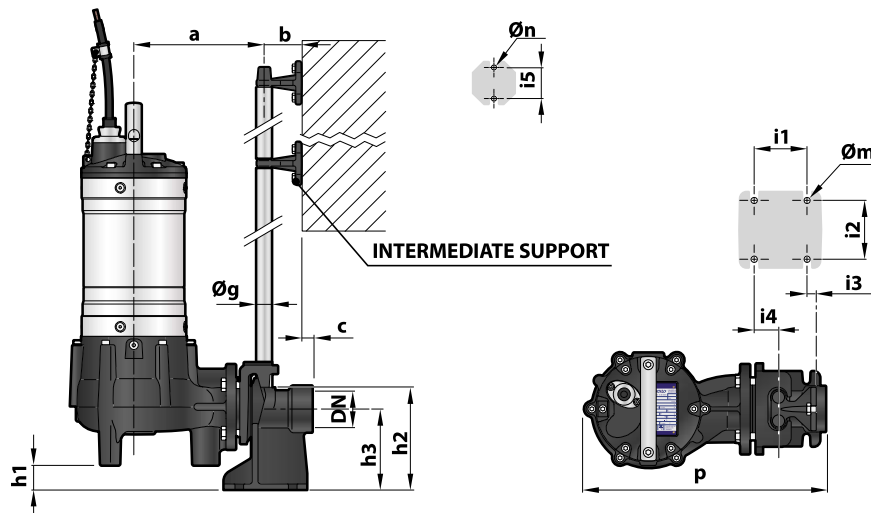
### GUIDE TUBES (AISI 304 stainless steel)

Guide tubes Ø ¾"	Code 54SARTG005
Guide tubes Ø 2"	Code 54SARTG006

- To ensure stability, install the intermediate support:
  - every 2 metres with ¾" guide tubes (mandatory);
  - every 3 metres with 2" guide tubes (recommended).
- Maximum length of the tube plank: 6 metres

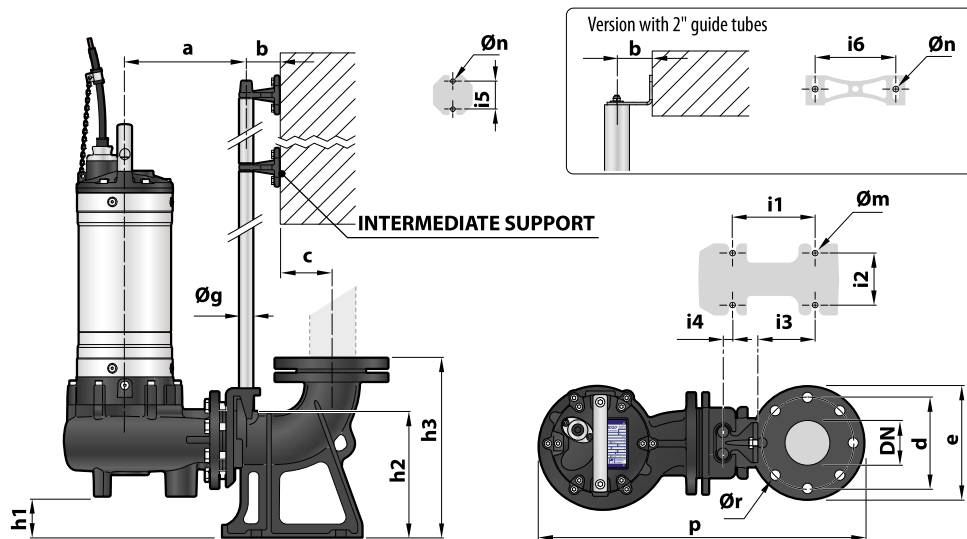


## DIMENSIONS (Horizontal delivery version)



MODEL	Passage of solids mm	PORT DN	DIMENSIONS mm														
			a	b	c	p	h1	h2	h3	i1	i2	i3	i4	i5	Øg	Øm	Øn
VX /50	Ø 50	2"	214	61	17	400	30	165	130	85	94	16	40	50	¾"	12	11

## DIMENSIONS (Vertical delivery version)



### Version with ¾" guide tubes

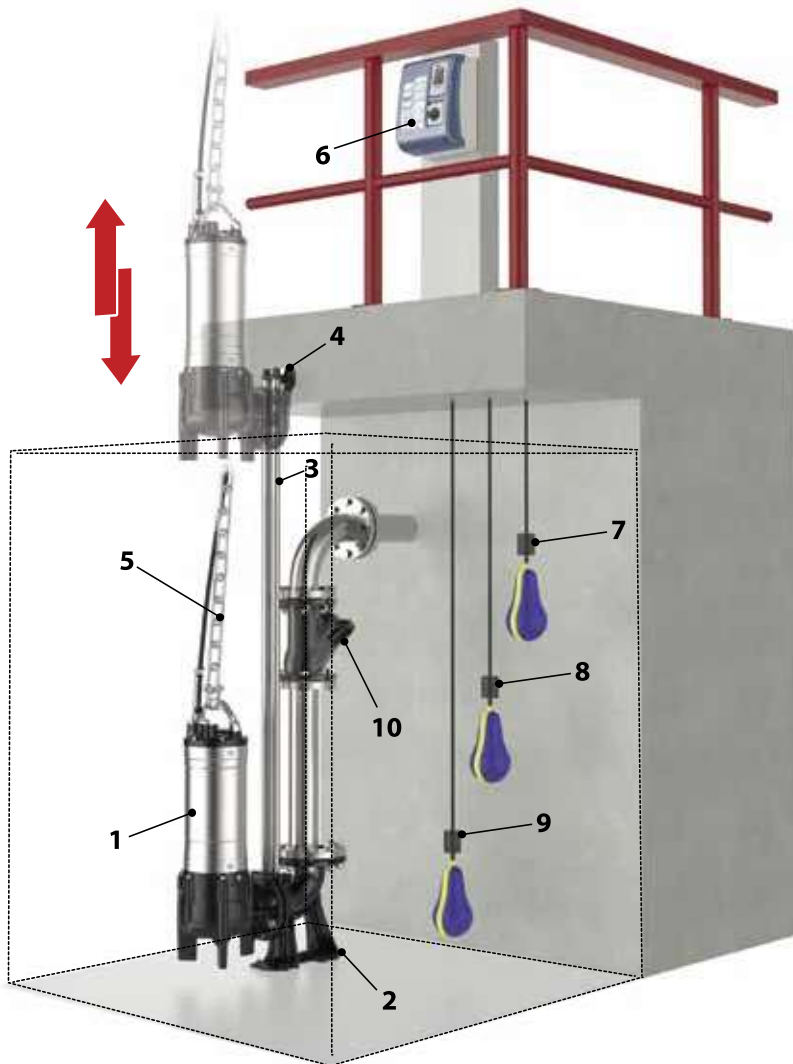
MODEL	Passage of solids mm	PORT DN	DIMENSIONS mm																	
			a	b	c	d	e	p	h1	h2	h3	i1	i2	i3	i4	i5	Øg	Øm	Øn	Ør
VX /50	Ø 50	2½"	211	61	52	125	165	506	28	164	216	120	72	62	3	50	¾"	14	11	18
VX /65	Ø 65	3"	213		69	150	190	537	48	216	280	130	112	84	15					

### Version with 2" guide tubes

MODEL	Passage of solids mm	PORT DN	DIMENSIONS mm																		
			a	b	c	d	e	p	h1	h2	h3	i1	i2	i3	i4	i5	i6	Øg	Øm	Øn	Ør
VX /50	Ø 50	3"	319	86	95	160	200	706	107	264	392	250	150	34	-	80	186	2"	22	13.5	18
VX /65	Ø 65							697	86												
VX /80	Ø 80							714	57												

## TYPICAL INSTALLATION

1. Pump
2. Footing connection
3. Guide tubes
4. Support for guide tubes
5. Lifting chain
6. Control box
7. Alarm float switch
8. Starting float switch
9. Stop float switch
10. Non-return valve



*The features and specifications here in are in no way binding for the manufacturer.  
Pedrollo S.p.A. reserves the right to modify the product in accordance with its production improvement policy at any time and without prior notice.*

### Pedrollo S.p.A.

Via Enrico Fermi, 7 - 37047 San Bonifacio (Verona) Italy  
tel. +39 045 6136311 - fax +39 045 7614663  
vendite@pedrollo.com - sales@pedrollo.com - www.pedrollo.com

**MADE IN ITALY**