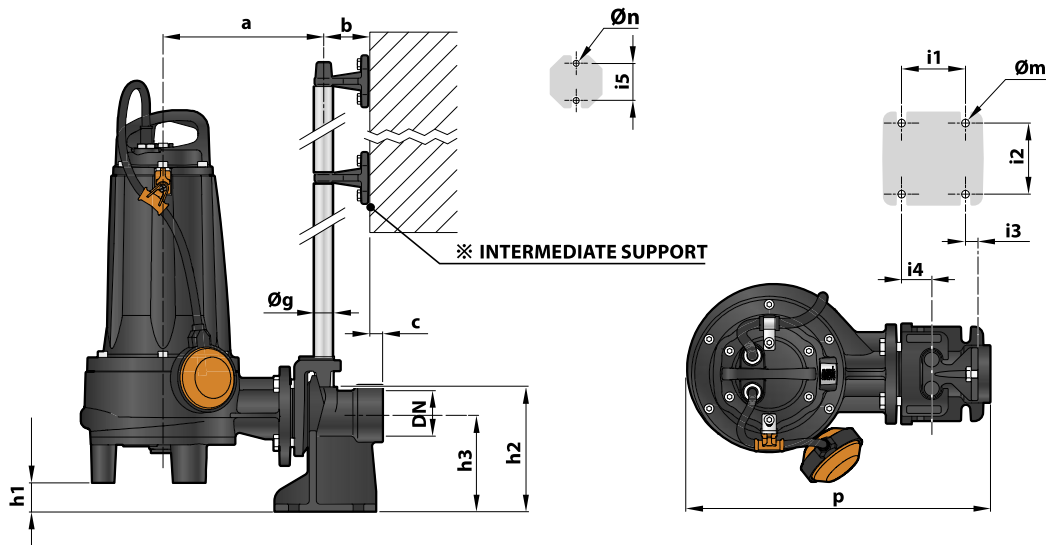


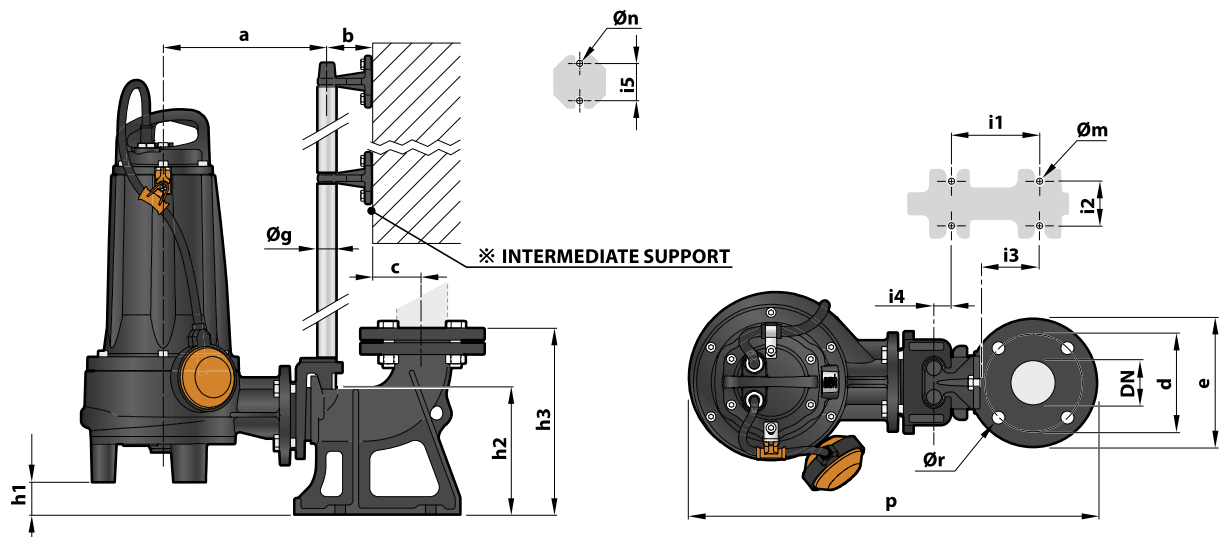
SEWAGE LIFTING SYSTEM

DIMENSIONS (Horizontal delivery version)



MODEL		PORT DN	Solids mm	DIMENSIONS mm														
Single-phase	Three-phase			a	b	c	p	h1	h2	h3	i1	i2	i3	i4	i5	Øg	Øm	Øn
TRm 0.75	TR 0.75	2"	Ø 7	212	61	17	395	50	165	130	85	94	16	40	50	3/4	14	11
TRm 0.9	TR 0.9																	
TRm 1.1	TR 1.1																	
TRm 1.3	TR 1.3																	
TRm 1.5	TR 1.5	2"	Ø 7	215	61	17	400	42.5	165	130	85	94	16	40	50	3/4	14	11
-	TR 2.2																	

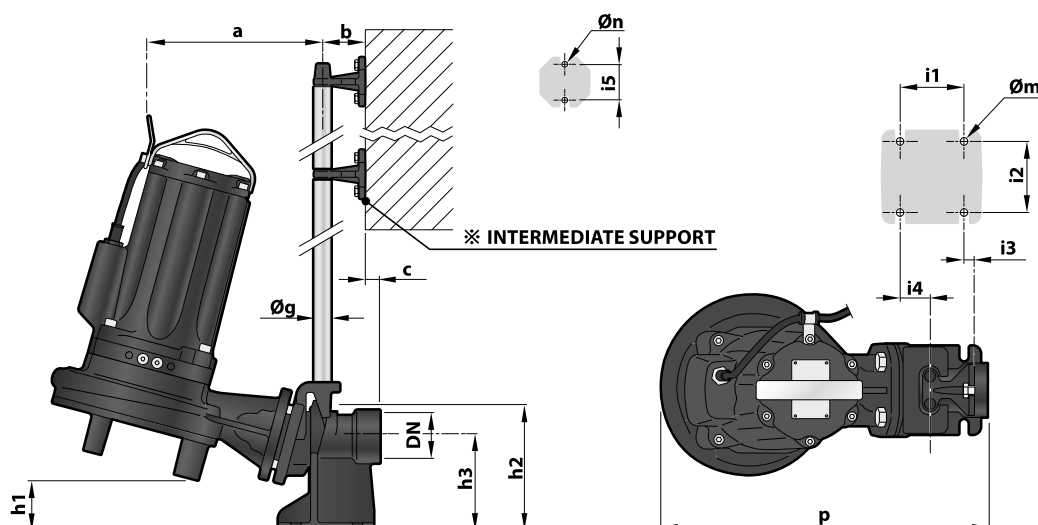
DIMENSIONS (Vertical delivery version)



MODEL		PORT DN	Solids mm	DIMENSIONS mm																	
Single-phase	Three-phase			a	b	c	d	e	p	h1	h2	h3	i1	i2	i3	i4	i5	Øg	Øm	Øn	Ør
TRm 0.75	TR 0.75	2½"	Ø 7	206	61	51.5	125	165	505	48	163.5	215.5	120	72	62	3	50	3/4	14	11	18
TRm 0.9	TR 0.9																				
TRm 1.1	TR 1.1																				
TRm 1.3	TR 1.3																				
TRm 1.5	TR 1.5	2½"	Ø 7	211	61	51.5	125	165	514	40	163.5	215.5	120	72	62	3	50	3/4	14	11	18
-	TR 2.2																				

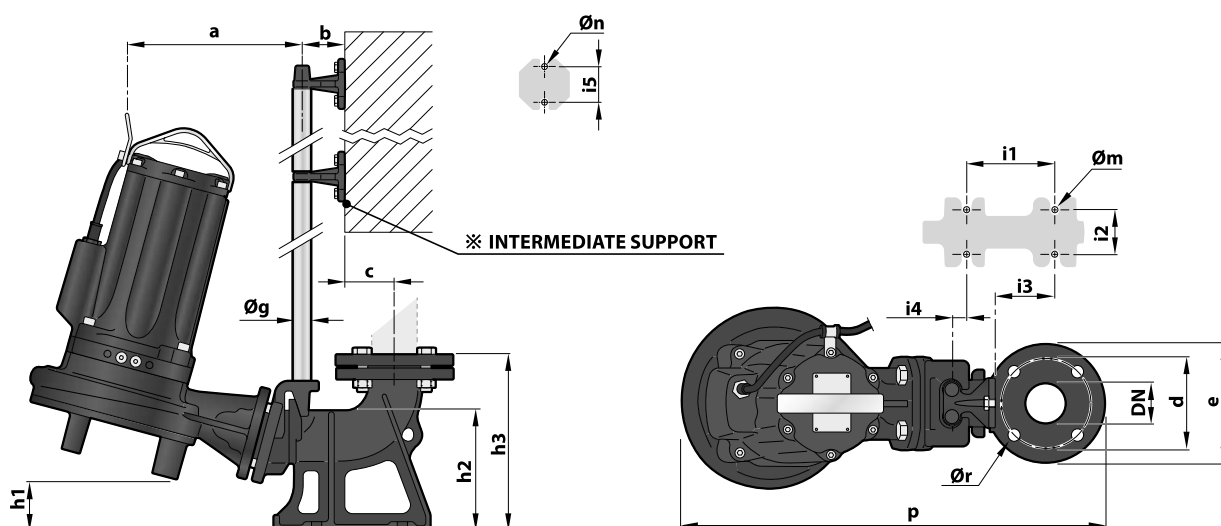
SEWAGE LIFTING SYSTEM

DIMENSIONS (Horizontal delivery version)



MODEL		PORT DN	Solids mm	DIMENSIONS mm														
Single-phase	Three-phase			a	b	c	p	h1	h2	h3	i1	i2	i3	i4	i5	Øg	Øm	Øn
TRm 2.2 AP	TR 2.2 AP	2"	Ø 7	228	61	17	455	71	165	130	85	94	16	40	50	3/4	14	11
-	TR 3 AP			238														

DIMENSIONS (Vertical delivery version)



MODEL		PORT DN	Solids mm	DIMENSIONS mm																	
Single-phase	Three-phase			a	b	c	d	e	p	h1	h2	h3	i1	i2	i3	i4	i5	Øg	Øm	Øn	Ør
TRm 2.2 AP	TR 2.2 AP	2½"	Ø 7	225	61	51.5	125	165	569	69	163.5	215.5	120	72	62	3	50	3/4	14	11	18
-	TR 3 AP			235																	